

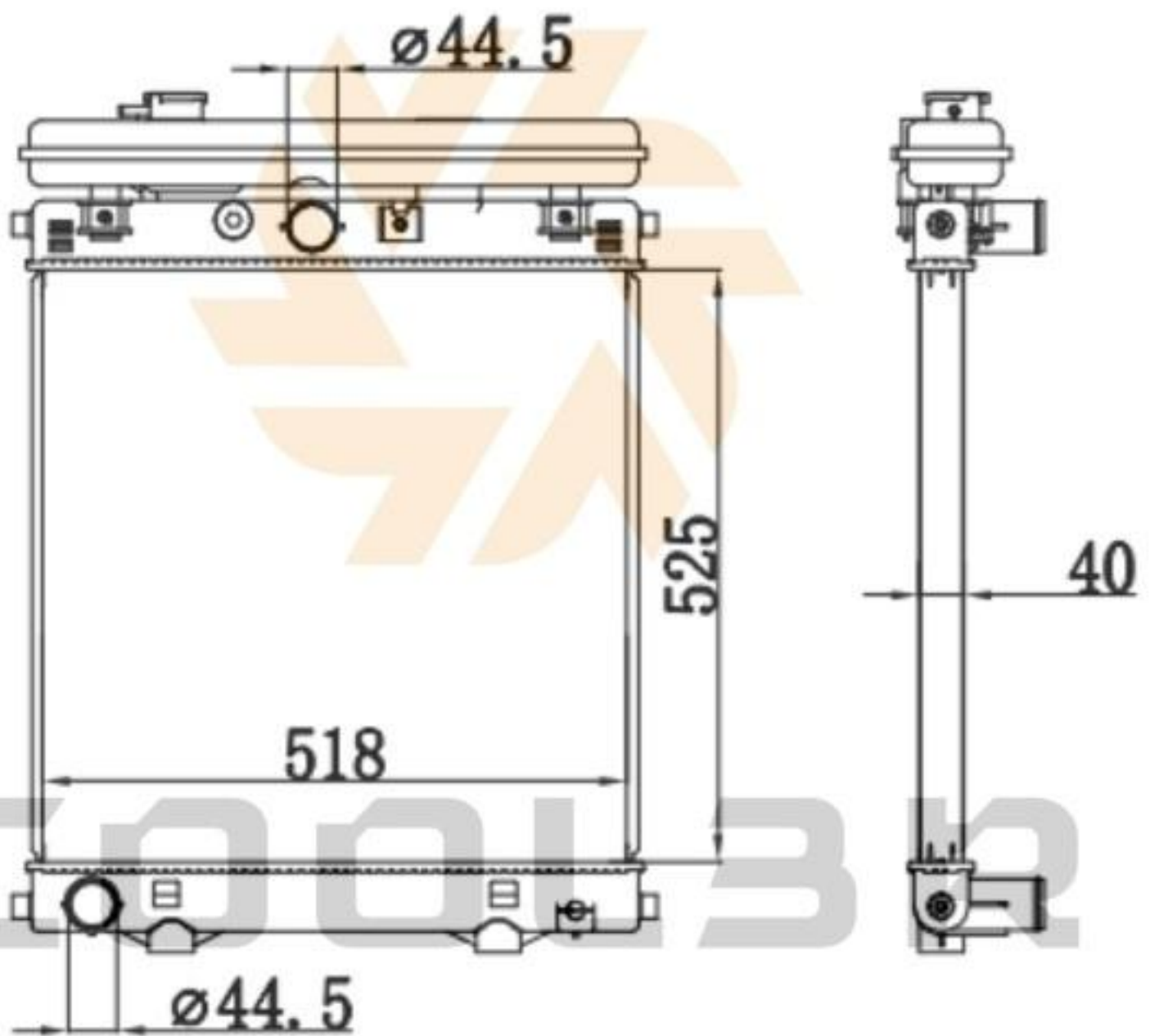


**COOL3R - 1862135 - RAD. CATERPILLAR / PERKINS 1104D-44TG / 1100  
SERIES / CQP60**

2485B280 2630591 3174133 DK32037 440834N MN4222120091 MN422212-0091 DK32000  
U488538C MN422000-62410P MN42200062410P RS51277 U651233C MN422112-2161  
MN4221122161 DK32000 U570554G

PANAL: 525 x 518 x 40

ALUMINIO SOLDADO - PLASTICO.



Radiators & Cooling Systems